

AT810 Quick Start Guide

Version 1.0

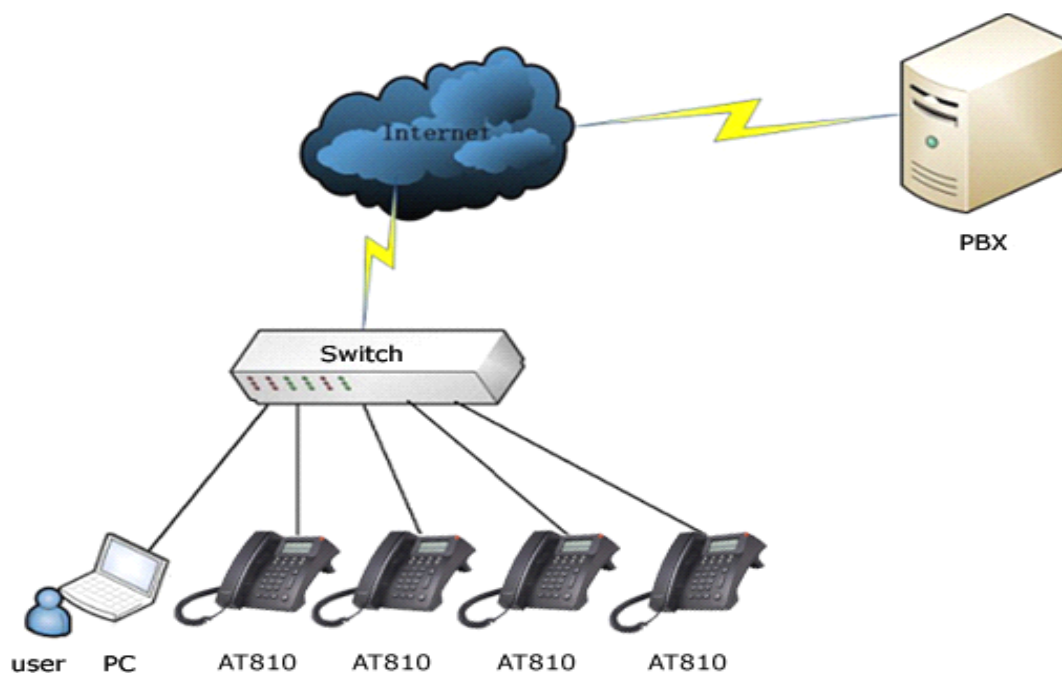
2013-01-17

1、 Installation and access.....	3
➤ Installation.....	3
➤ Feet installation instruction.....	3
➤ Check IP.....	5
➤ Login to AT810's webpage.....	6
2、 Configure AT810 to make VoIP calls.....	6
➤ Network.....	6
➤ Set password.....	7
➤ SIP Settings.....	7

1. Installation and access

➤ Installation

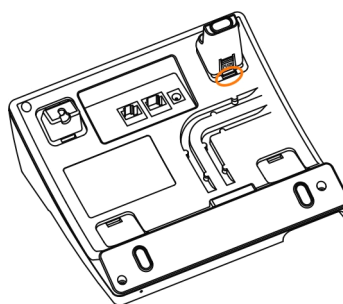
Set up AT810 as below:



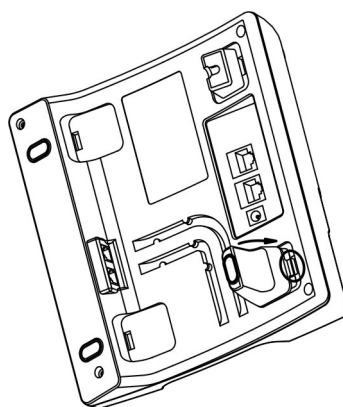
➤ Feet installation instruction

1、Desktop position:

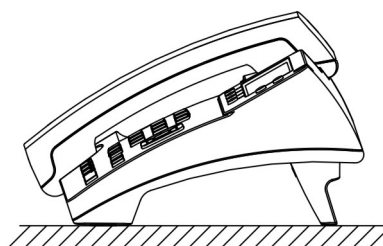
A、Put the bottom side of the IP phone upside and press the plate with letter "PUSH" into the slot, please refer the picture as below:



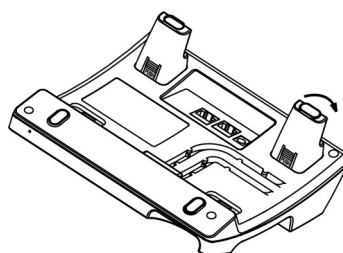
B、Press the other plate into the slot in accordance with the direction of the arrow



- C、 Repeat A and B. It is the right picture of putting on desk after fixing the two feet below:

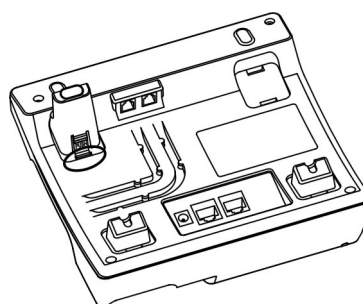


- D、 Disassemble the feet:
Press the plate with word "PUSH" and pull the feet with the direction of arrow. When the plate is pull out of the slot (there will be a sound of "pa") you can take off the feet

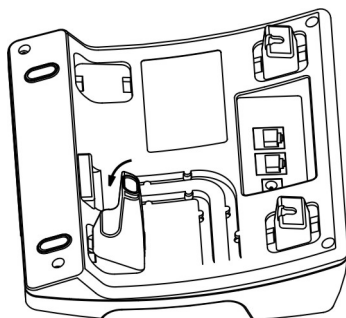


2、 On wall position

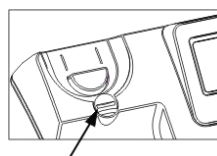
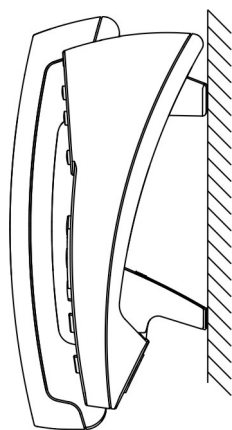
- A、 Put the bottom side of the IP phone upside and push the plate with letter "PUSH" into the slot, please refer the picture as below:



- B、 Push the other plate into the slot in accordance with the direction of the arrow



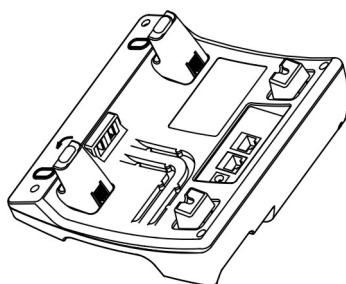
C、 Repeat A and B. It is the picture of wall mounting after fixing the two feet below:



Attention: Please rotate the hook to the position as in picture with a coin or other tools

D、 Disassemble the feet way:

Press the plate with word "PUSH" and pull the feet with the direction of arrow. When the plate is pull out of the slot (there will be a sound of "pa") you can take off the feet



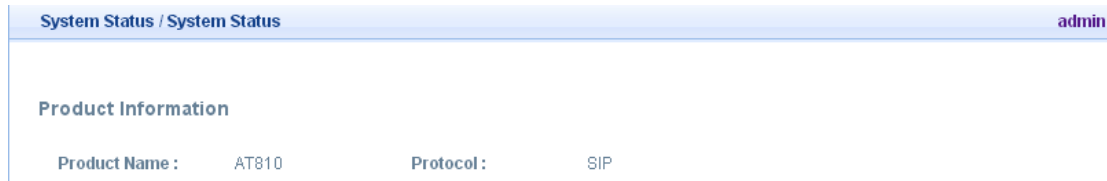
➤ Check IP

If AT810 is connect to your network. AT810 WAN default to use DHCP, and after connect WAN to Switch, it will obtain IP automatically. Press "Info" you will see AT810's current IP, Current Gateway and UserID.

➤ Login to AT810's webpage

Modify your computer's IP address to the same network as AT810. Enter AT810 IP addresses in the web browser to go to the login page, then you will access AT810's user webpage.

Click "admin" which is on the right corner to enter administrator webpage.

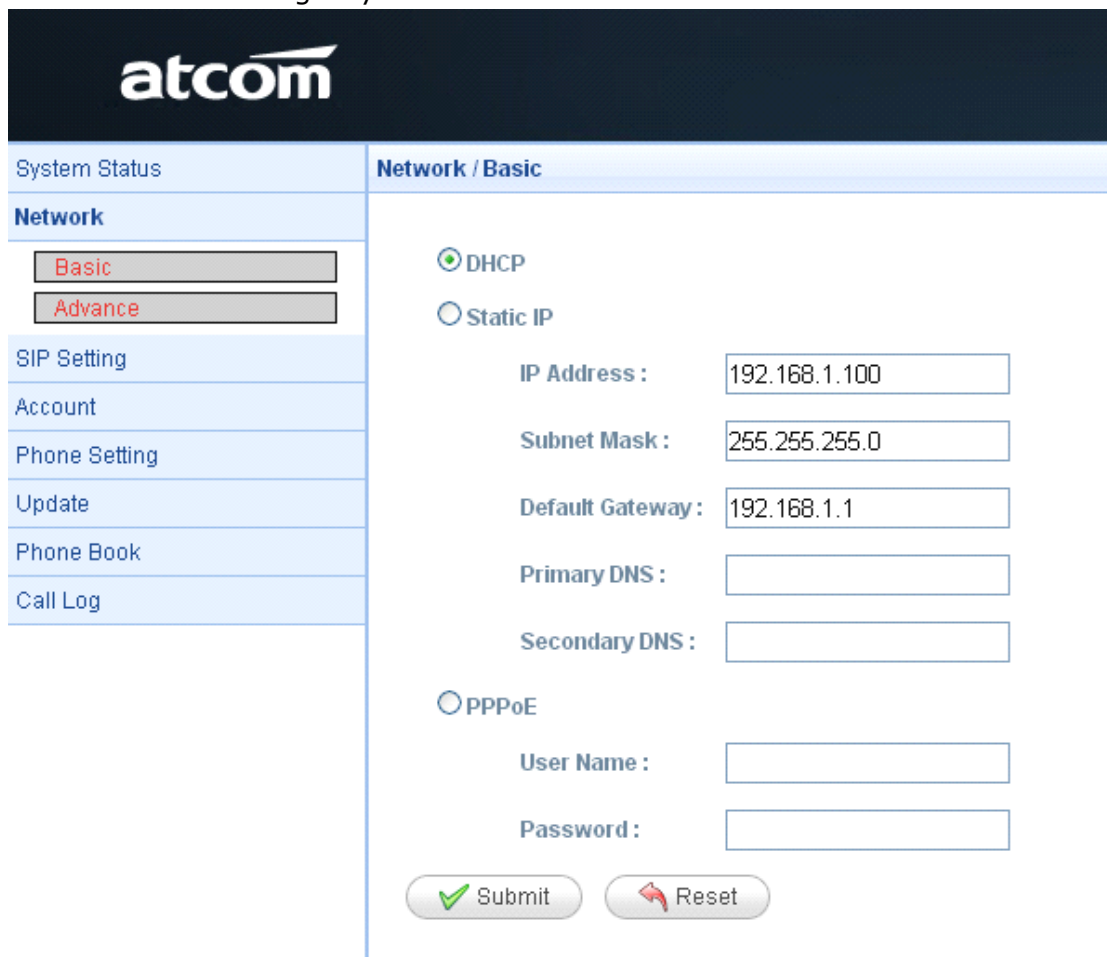


2. Configure AT810 to make VoIP calls

➤ Network

Enter "Network" -> "Basic" page.

There are 3 ways to connect to the internet DHCP, Static and PPPoE, please choose one according to your own situation.



- ✓ Network mode: you can choose DHCP, Static and PPPoE
- ✓ DHCP: AT810 default to use DHCP to obtain dynamic IP.
- ✓ Static: If you want to set your ip as static, you should fill ip, netmask,

gateway and DNS information.

- ✓ PPPoE: If connect AT810 to modem, you should fill ADSL account and the password which assigned by your network service provider.

➤ Set password

Enter "Network" -> "Advance" page.

There are 2 models to set the authority of web accessing and command line: User model and Admin model. All the parameters can be visible and changed in Admin mode while part of them can be visible in User mode.

System Status	Network / Advance	user
Network	Web Server	
Basic		
Advance		
SIP Setting	Admin Password :	User Password :
Account	HTTP Port : 80	
Phone Setting		
Update		

- ✓ Admin password: set admin webpage access password.(username: admin)
- ✓ User password: set user webpage access password.(username: user)

➤ SIP Settings

Enter "Account" -> "SIP" page.

SIP

Enable :	Yes	User ID :	5100
Display Name :	Frozen	Password :
Authenticate ID :		SIP Port :	5060
SIP Server :	172.16.0.55	Outbound Proxy Server :	
Use Outbound Proxy :	No	Outbound Proxy Port :	5060
Register Expires :	300	Subscribe Expires :	3600
Transport Type :	UDP	SIP 100Rel Require :	No

- ✓ Enable: whether enable this sip register.
- ✓ Display Name: This name will display on your screen. It will show the User ID instead if leave display name as blank.
- ✓ User ID: Username of sip account.
- ✓ Authenticate ID: normally is the same with User ID, can also leave it as blank if there is no special requirement from your sip server.
- ✓ Password: Password of sip account.

AT810 Quick Start Guide

- ✓ Server Server: SIP server address , support both IP address and domain name.
- ✓ Server Port: SIP server port , default is 5060.
- ✓ Use Outbound Proxy: Whether to use outbound proxy.
- ✓ Outbound Proxy Server: Normally the Proxy server is the same as SIP server. If they are different then fill in the correct information that provided by ISP.
- ✓ Outbound Proxy Port: Set your proxy server port.
- ✓ Register Expires: register expire time, default is 60 seconds. AT810 will auto configure this expire time to the server recommended setting if it is different from the SIP server.
- ✓ Subscribe Expires: The Expires value in SUBSCRIBE message, default is 3600 seconds.
- ✓ SIP 100Rel Require : Require 100rel or not, default is no. If set to yes, the INVITE message sent will contain the *require:100rel* header field.
- ✓ Transport Type: UDP/TCP/TLS.

After configured and enabled register this account, please check the status of this account in System Status page.

System Status	System Status / System Status	
System Status		
Network	Product Information	
SIP Setting	Product Name : AT810	Protocol : SIP
Account	Software Version : 2.2.1	Hardware Version :
Phone Setting	Mac Address : 80:82:87:01:11:DA	Serial Number : 800DP12900550
Update	Network Information	
Phone Book	Type : DHCP	Current IP : 172.16.0.123
Call Log	Current Netmask : 255.255.255.0	Current Gateway : 172.16.0.1
	Primary DNS : 202.96.134.133	Secondary DNS : 202.96.128.86
	Host Name :	Domain :
	VPN State : Disable	VPN IP :
	Account Information	
	Registration State : Registered	Proxy : 172.16.0.55
	User ID : 5100	Message Waiting : Yes
	Last Registration At : 01/01/2000 00:00:00	Next Registration In : 300 s